

### DPA-Miniature Rack/Panel

DPA plugs are rugged, miniature rack/panel plugs utilizing maximum insert space in a one-piece shell. Polarization is accomplished with a keystone cornered shell and the coupling means is friction. Operating temperature for the DPA is - 55 C to + 125 C (-67 F to + 257 F)

### DPAF - Float Mount Shells

DPAF plugs are DPA plugs with four rivets with washers on the contact termination side of the connector. Floating rivets are .093 (2.36) I.D. with a minimum of .032 (0.81) float.

### DPAL - Large Flange Shells

DPAL plugs are DPA plugs with a large flange.

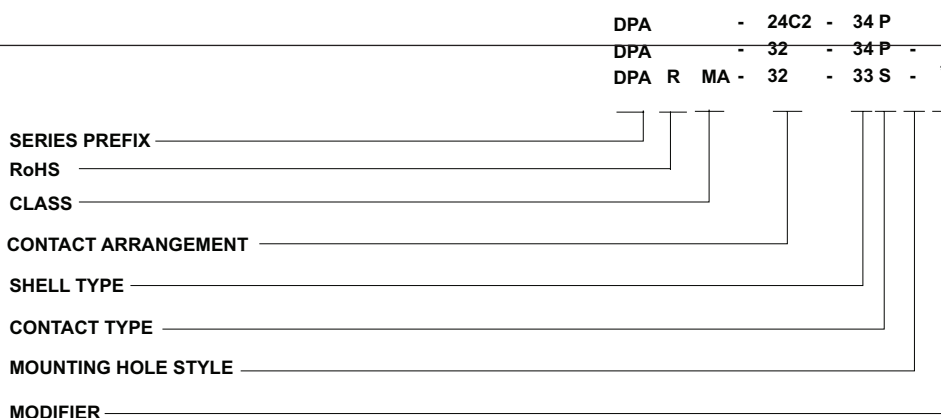
### DPAMA - Little CAESAR' Contact Assembly

DPAMA plugs are DPA plugs with the proven LITTLE CAESAR contact assembly for rear insertion, release and extraction of crimp type contacts. Insertion requires no tool; extraction requires an expendable plastic tool. Hard dielectric, closed-entry socket insert has lead-in chamfers for positive mating of pin contacts. Contacts are of simpler, stronger design for greater resistance to bending or damage and are crimpable with the M22520/1-01 tool.

## Material Specifications

		DPA/DPAF/DPAL	DPAMA
<b>Shell</b>	Material	Aluminum alloy	Aluminum alloy
	Finish	Cadmium plate with yellow chromate	Cadmium plate with yellow chromate
<b>Insulator</b>	Material	Melamine	Diallyl phthalate
	Material	Copper alloy	Copper alloy
<b>Contacts</b>	Finish	Gold over copper alloy	Gold over copper alloy
	Termination	Solder pot	Crimp

## How to Order



### RoHS version

R - RoHS compatible

### CLASS

F - Float mount shell

L - Large flange shell

MA - LITTLE CAESAR contact assembly with crimp, snap in contacts

### CONTACT ARRANGEMENT

### SHELL TYPE

33 for plug, 34 for receptacle

### CONTACT TYPE

P - Pin

S - Socket

### MOUNTING HOLE STYLES

#### DPA

No Dash	- .093 (2.36) Dia.
A	- .093 (2.36) Dia., countersunk 82 to .173 (4.39) Dia.
B	- .120 (3.05) Dia., countersunk 100 to .225 (5.72) Dia.
C	- .093 (2.36) Dia., countersunk 100 to .182 (4.62) Dia.
E	- .120 (3.05) Dia.
F	- .100 (2.54) Dia.
G	- .120 (3.05) Dia., countersunk 82 to .203 (5.16) Dia.
H	- Tapped #4-40 NC-2
J	- .093 (2.36) Dia., countersunk 100 to .192 (4.88) Dia.

### DPAMA

No Dash	- .093 (2.36) Dia., countersunk 82 to .173 (4.39) Dia.
A	- .093 (2.36) Dia.
B	- .120 (3.05) Dia., countersunk 100 to .225 (5.72) Dia.
C	- .093 (2.36) Dia., countersunk 100 to .182 (4.62) Dia.
D	- .136 (3.45) Dia.
E	- .120 (3.05) Dia.
F	- .100 (2.54) Dia.
G	- .120 (3.05) Dia., countersunk 82 to .203 (5.16) Dia.
H	- Tapped #4-40 NC-2

### MODIFIER

Add FO to order connector less contacts. Consult factory for other modifications.

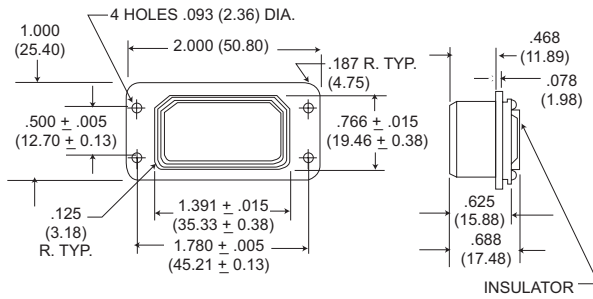
Arrangements with coax contacts, such as 24C2, may be ordered without coax contacts by substituting a "W" for teh "C" e.g., DPA-24C2-34P with two coax contacts becomes DPA-24W2-34P with two cavities. The customer can then order separately any snap in coax contact shown on page 99. The customer is thus able to "create" arrangements with infinite combinations of coax contacts.

Dimensions shown in inch (mm)  
Specifications and dimensions subject to change

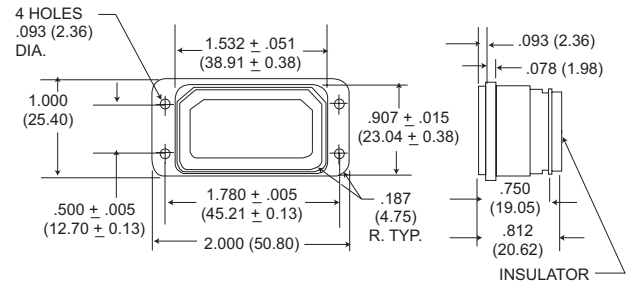
www.ittcannon.com

## Solid Shell

DPA-33

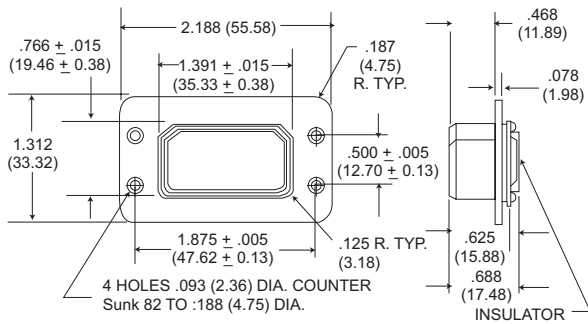


DPA-34

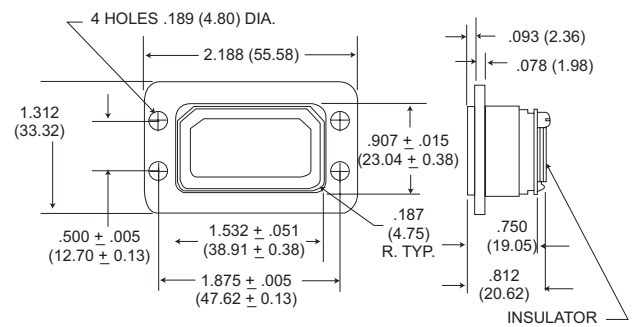


## Large Flange Shell

DPAL-33

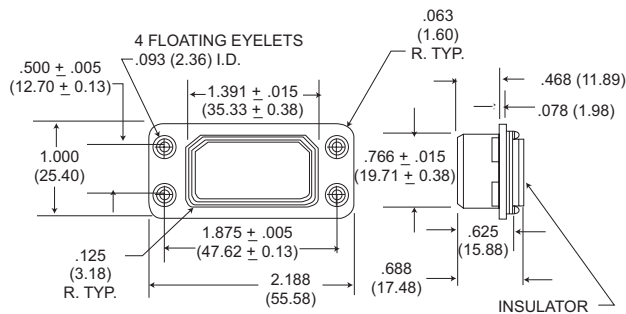


DPAL-34

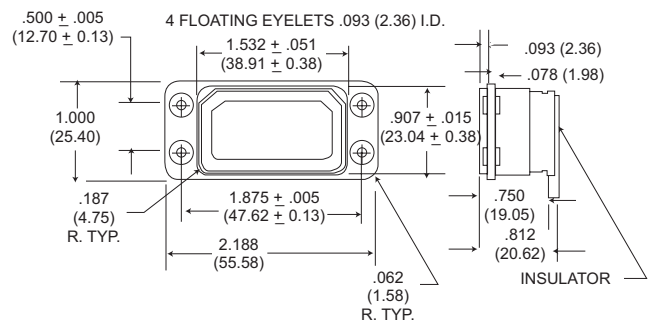


## Float Mount Shell

DPAF-33

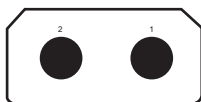


DPAF-34

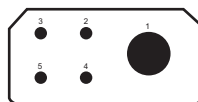


## Contact Arrangements

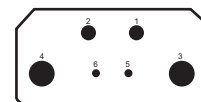
Face view of pin insert



2  
2 #4  
2900

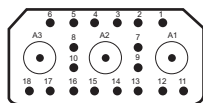


5  
1 #4, 4 #14  
2500

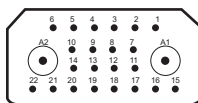


6  
2 #8, 2 #12, 2 #20  
2600 (5,6)

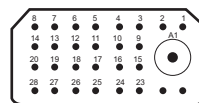
No. of contacts & Wire Size  
Test Voltage AC (RMS)



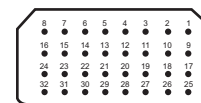
21C3  
18 #20, 3 coax  
1500 (1-18)  
1000 (A1, A2, A3)



24C2  
22 #20, 2 coax  
1500 (1-22)  
1000 (A1, A2)



29C1  
28 #20, 1 coax  
1500 (1-28), 1000 (A1)



32  
32 #20  
1500

No. of contacts & Wire Size  
Test Voltage AC (RMS)

Arrangement also available with LITTLE CAESAR contact assembly and may be employed in any shell type.

## DPA Coaxial Variations

Termination Code	Variations of Basic Arrangements			Coaxial Type/Part Number	Max. Coaxial Extension From Rear of Flange	
					34 Shell	33 Shell
1	A21C3	*24C2	*29C1	FIXED	.953 (24.21)	.453 (11.51)
2	*21C3	D24C2	A29C1	FIXED	.859 (21.82)	.359 (9.12)
3*	B21C3	L24C2	C29C1	P-249-5012-000 S-249-5008-000	1.031 (26.91)	.500 (12.70)
4	C21C3	P24C2	F29C1	FIXED	1.094 (27.79)	.594 (15.09)
5	D21C3	K24C2	K29C1	FIXED	1.047 (26.59)	.561 (14.28)
6*	E21C3	N24C2	L29C1	P-249-5052-002 S-249-5051-001	1.218 (30.94)	.670 (17.02)
7	F21C3	B24C2	M29C1	FIXED	1.094 (27.79)	.594 (15.09)
8	F21C3	C24C2	N29C1	FIXED	1.094 (27.79)	.609 (15.47)
9	H21C3	R24C2	P29C1	FIXED	1.125 (28.98)	.625 (15.88)
10	21HV3	24HV2	29HV1	FIXED	1.062(26.98)	.554 (14.07)
11*	J21C3	H24C2	G29C1	P-249-5052-002 S-249-5051-001	1.218 (30.94)	.670 (17.02)
	21W3	24W2	29W1		Coaxials Not Supplied	

\*Termination codes - 3, - 6, - 11 utilize snap - in nonremovable coaxials which are supplied with the connector. These coaxials may be ordered separately when ordering the connectors without coaxials (21W3 24W2 and 29W1 layouts).

## DPAMA Coaxial Variations

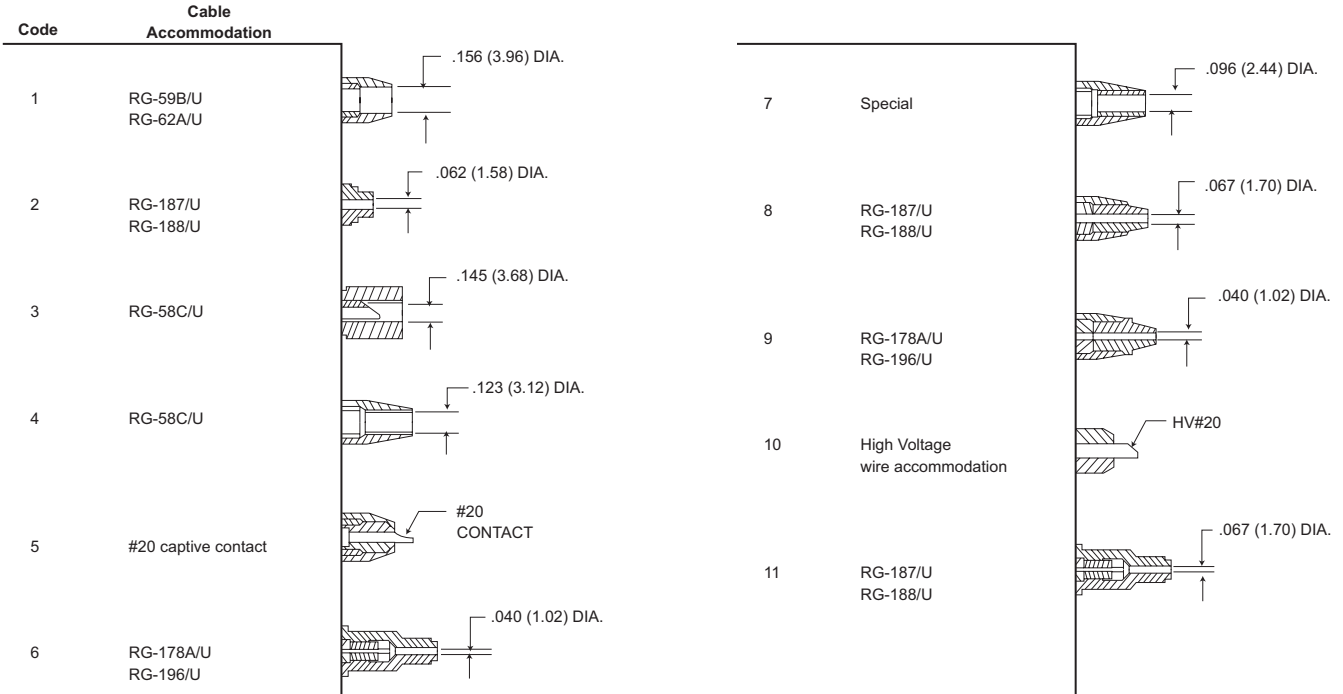
Variations of Basic Arrangements		Coaxial Type/Part Number	Max. Coaxial Extension From Rear of Flange	
			34 Shell	33 Shell
24W2	29W1	Coaxials Not Supplies*	-	-
E24C2	B29C1	Crimp Type for RG-58/U cable	1.239 (31.47)	.737 (18.72)

\*DPAMA coaxials purchased separately may be ordered under the following part numbers: Pin (Plug): 249-1741-000  
Socket (receptacle): 249-9008-000  
Crimp Tool: CA58073-0000  
Extraction tool: CET-C11

NOTE: DPA snap in coaxials and DPAMA crimp coaxials are NOT interchangeable but are intermateable.

## Contact Terminations

All dimensions are  $\pm .010$  (0.25) unless indicated otherwise.



### MAX. CONTACT EXTENSION from rear of insulator

Contact Size		20	18	14	12	8	4
Contact	Pin	.156 (3.96)	.140 (3.56)	.125 (3.18)	.218 (5.54)	.218 (5.54)	.250 (6.35)
Extension	Socket	.156 (3.96)	.250 (6.35)	.344 (8.74)	.218 (5.54)	.266 (6.76)	.531 (13.49)

## Contact Arrangements

### Dust Caps



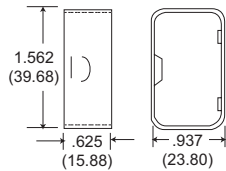
DPA-59 FOR 33 SHELLS  
025-0572-000



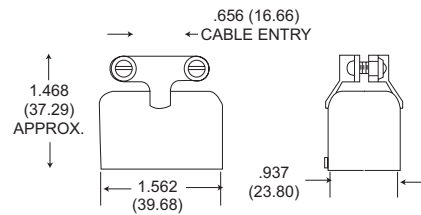
DPA-60 FOR 34 SHELLS  
025-0573-000

Conductive: DPA-60-1  
025-0573-001 (Protects  
Against Static Electricity)

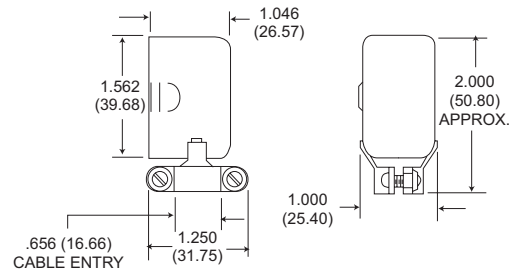
### 22054 Potting Shell



### 20746 Straight Junction Shell



### 20746-1 90° Angle Junction Shell



Dimensions shown in inch (mm)  
Specifications and dimensions subject to change

www.ittcannon.com

