



ERC 15/17/17V

(AC Drive)
Electric Operated Stand-on Stacker
(1500/1700 Kg.)



- MOSFET programmable stepless speed controller.
- Lift heights up to 6300 mm.
- Enhanced safety with dual speed operation (optional).
- Panorama mast for excellent visibility of load during operation.

The Jost's Electric Stand-on Stacker, type ERC has been designed specially for the flexible handling of palletised loads in dual mode either as pedestrian or stand-on stacker. It is ideally suited for improved performance at great lift heights with high residual capacities and usage times. **Jost's Stackers with AC technology provides additional advantage of reduced maintenance, improved power utilisation and improved battery life.**

Operator Area : The stand-on foldable platform provides excellent comfort and safety. The dampening spring mechanism provides the required cushioning effect that "swallows" the bumps on the surface. The rubberized anti-skid mat provides good grip on stand-on mode enhancing the safety. Emergency stop button provides maximum safety for the operator.

Drive : Powerful 1.5 Kw high performance AC motor of 1 hour rating with high over load capacity efficiently drives a low noise, two stage compact gear unit mounted directly on to the drive wheel.

Drive Control : Microprocessor based MOSFET controller provide smooth and stepless control of speed and acceleration. It also helps in obtaining fault diagnostic information quickly and easily. The high life cycle contactors used in the controller circuit enhances dependability and productivity. The controller can also enable dual setting for different speed limits in pedestrian as well as stand-on mode(optional).

Chassis : Robust steel construction and the stable 5 point contact design permits high residual capacities and enhances stability during turning. The rounded enclosed contours permits safe maneuvering in confined spaces. The wider track width of the support wheel of ERC 17V ensures good stability with better residual capacities even at greater heights. The battery holding compartment in the chassis is provided with suitable roller bed for easy removal of the battery.

Wheels : All wheels (Drive wheel $\varnothing 200 \times 85$ mm wide, load wheels $\varnothing 85 \times 75$ mm wide tandem, support castors $\varnothing 150 \times 50$ mm wide) are made of polyurethane material as standard. These enable noiseless smooth ride over variety of surfaces and cause less damage to expensive flooring. The tandem load wheel configuration ensures smooth roll over with continuous contact on the floor and enables easy negotiation over small bumps and jerks.

Tiller Head : Multifunction tiller head with ergonomically arranged operating elements for travel, lift, lowering and horn at finger tips provide highest operator comfort and safety. It also has a belly button that provides additional safety in case of emergencies.

Steering : The tiller control handle configuration enable easy and effortless steering in both stand-on as well as pedestrian mode. Steering lock at 90° on either side and can be operated only in limited range of handle inclinations comfortable to operator. This provides additional operational safety.

Brake : Electromagnetic disc brake with hard wearing, asbestos free liner provides quick braking. When the handle is close to vertical or horizontal position, the brake becomes operational with simultaneous power cut-off.

Hydraulics : Compact power pack unit with high pressure pump driven by 3.0 Kw sturdy compound wound motor forms the heart of hydraulic system which enables smooth and efficient lifting and lowering operations to various stacking heights. During stacking and retrieval, the operator can operate lifting / lowering push button on the tiller head without leaving the driving position.

High Visibility Mast : The truck is fitted with either a three stage mast (PD) with high free lift or two stage mast (PT) as a standard and can provide lift up to 6300 mm. The construction of mast is such that it provides excellent visibility of the load carriage / fork during all operations. The PD mast construction is suitable for operations within the containers.

Carriage & Forks : Robust steel fabricated carriage with welded forks ensure durable service. The individual moving components like pulley, chain and bearings are accurately selected, manufactured and fitted for trouble free performance. The bearings in the carriage assembly and the inner masts enable jerk free smooth vertical movements ensuring safe and stable lift of the load. Various options of fork lengths and width over forks are available for different types of pallets. The fork ends are suitably tapered to provide better maneuverability while turning in confined spaces and smooth entry into pallets. Adjustable solid forks are also available as an option.

Safety : The truck is equipped with lowering brake valve for gradual lowering, automatic lift cut off at 80% battery discharge condition for enhanced safety and anti-collision switch on tiller head. The hydraulic circuit has safety feature like hose burst valve, pressure relief valves and non return valves. The controller can also be set for dual travel speed limit (optional) for creep speed setting while stacking and retrieving with the raised load.

Servicing : The modular service friendly design with easily removable front cover provides easy access to all components for servicing thus saving valuable time during maintenance.

Battery : Battery : The equipment comes with 24V / 195Ah traction battery as a standard for lift height up to 5250 mm and 24V / 330Ah traction battery beyond 5250 mm to ensure steady power supply with trouble free battery maintenance.

Charger : High frequency constant current automatic charger of 24V / 20Amp for 24V / 195Ah battery (lift up to 5250 mm) and 24V / 35Amp for 24V / 330Ah (beyond 5250 mm lift) traction battery is supplied as a standard.

Performance Data

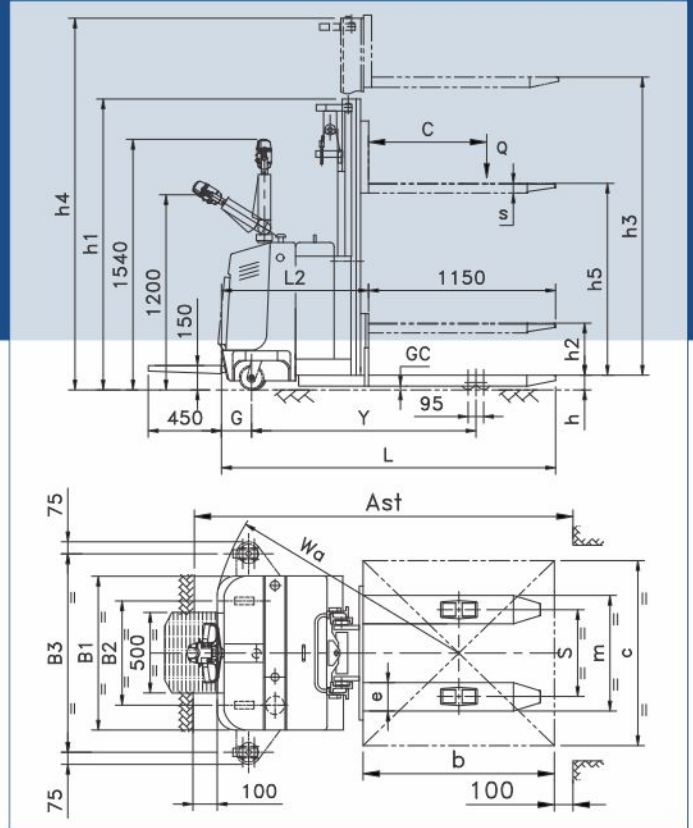
Identification		ERC 15	ERC 17	ERC 17 V
Model		ERC 15	ERC 17	ERC 17 V
Drive type		AC	AC	AC
Operator type		Stand - on	Stand - on	Stand - on
Capacity	Q=Kg	1500	1700	1700
Load center for rated capacity	C=mm	600	600	600
Wheelbase	Y=mm	1300	1300	1300
Battery weight (apx.)	Kg.	210	210	210
Service weight with 2800 PT mast and 195 Ah traction battery (apx.)	Kg.	1050	1150	1150
Wheels / Chassis				
Wheels		Polyurethane	Polyurethane	Polyurethane
Load wheel	mm	Ø85x75W	Ø85x75W	Ø85x75W
Support Castors wheel	mm	Ø150x50W	Ø150x50W	Ø150x50W
Drive wheel	mm	Ø200x85W	Ø200x85W	Ø200x85W
Wheels, number front / rear	nos.	1x+2/4	1x+2/4	1x+2/4
Drive Track	B2=mm	606	606	606
Drive Track above 5250 lift	B2=mm	-	710	710
Drive Track (only in ERC 17V)	B3=mm	-	-	1250
Basic Dimensions				
Lower height	h=mm	90	95	95
Length to face of forks with PT mast #	L2=mm	950	950	950
Truck length (PT mast) #	L=mm	2100	2100	2100
Width over forks up - to 4200 lift (\$)	m=mm	570	680	570
Width over forks up - to 5250 lift (\$)	m=mm	680	680	570
Width over forks up - to 6000 lift (\$)	m=mm	-	750	680@
Width over forks up - to 6300 lift (\$)	m=mm	-	750	750@
Width over forks (adjustable)*	m=mm	1000	1000	1000
Overall width	B1=mm	850	850	850
Overall width above 5250 lift	B1=mm	-	1000	-
Fixed fork dimensions	s/e/l=mm	65/185/1150	65/185/1150	65/185/1150
Adjustable fork dimensions*	s/e/l=mm	40/100/1150	40/100/1150	40/100/1150
Ground clearance, center of wheel base	GC=mm	30	25	25
Front overhang	G=mm	264	264	264
Load wheel track (570/680 width over fork)	S=mm	386 / 496	496	386 / 496
Load wheel track (750 width over fork)	S=mm	-	566	566
Turning radius during maneuvering (850 overall width)	Wa=mm	1620	1620	1620
Turning radius during maneuvering (1000 overall width)	Wa=mm	-	1650	-
Performance				
Travel speed, laden	km / h	5	5	5
Travel speed, unladen	km / h	5.5	5.5	5.5
Lift speed, laden/unladen	cm / s	11 / 15	10 / 14	10 / 14
Lowering speed, laden/unladen	cm / s	8 / 6	8.5 / 6	8.5 / 6
Gradient performance, laden/unladen	max.%	8 / 16	7 / 16	7 / 16
Service brake		Electric	Electric	Electric
Sound level at driver's ear	db(A)	85	85	85
Power				
Drive motor rating S2, 60 min.	kW	1.5	1.5	1.5
Lift motor rating S3, 15%	kW	3	3	3

1. * = Optional adjustable forks 2. \$ = Straddle outer width m - 60mm
 3. # = L & L2 for PD mast, add 25mm 4. @ (m) = 570 is also available above 5250 lift, in ERC 17V on request

Residual Capacity Chart									
Model	ERC 15			ERC 17			ERC 17V		
Width Over Forks (Fixed Forks)	570	680	750	570	680	750	570	680	750
Straddle Inner Width (Adjustable fork)	260	370	440	260	370	440	260	370	440
Fork Length	1150			1150			1150		
2800	1500	1500	1500	1600	1700	1700	1600	1600	1700
3500	1100	1300	1500	1400	1500	1700	1600	1600	1700
3600	1100	1300	1500	1400	1500	1700	1500	1600	1700
4200	800	1000	1200	1100	1300	1400	1200	1400	1500
4500	600	700	800	1000	1200	1300	1100	1200	1300
5250	500	600	700	800	1000	1100	900	1100	1200
6000	-	-	-	600	700	800	700	800	900
6300	-	-	-	300	400	500	450	550	600
Lift (mm)	Residual Capacity (Kg)								

• With 330Ah battery, residual capacity up to 5250 mm lift height will increase by 75 Kg, but not exceeding the basic capacity.
 • The residual capacity beyond 5250 mm lift height is with 330Ah battery.

• For any special requirements, Please contact Jost's marketing department. • Dimensions indicated here are subject to variations of ± 20mm and performance within ± 10%. • Right to make changes and technical improvements reserved.



- h1 - Closed mast height
- h2 - Normal free lift
- h3 - Lift
- h4 - Extended mast height
- h5 - High free lift
- h - Fork lower height

Standard Mast Designs (mm)

2 - Stage Mast (PT) ERC - 15/17/17V				1 - Stage Mast (SX) ERC - 15/17/17V		
h1	h3	h2	h4	h1	h3	h4
1950	2800	100	3350	1300	800	1350
2300	3500	100	4050	1900	1400	1950
2650	4200	100	4750	2000	1500	2050

3 - Stage Mast (PD) ERC - 15/17/17V				3 - Stage Mast (PD) ERC - 15/17/17V			
h1	h3	h5	h4	h1	h3	h5	h4
1750	3600	1250	4150	2350	5250	1800	5800
1950	4200	1450	4750	2650	6000	2100	6550
2100	4500	1550	5050	2825	6300	2300	6850

Note :- Non standard lift height may be available on request
 ® For ERC 17/17V only

Working Aisle Width Ast. (mm)

Pallet size cxb	Position	Ast * Incl. 200 mm safety clearance
1000 x 1200	Lengthways	2650
1200 x 1200	Lengthways	2700